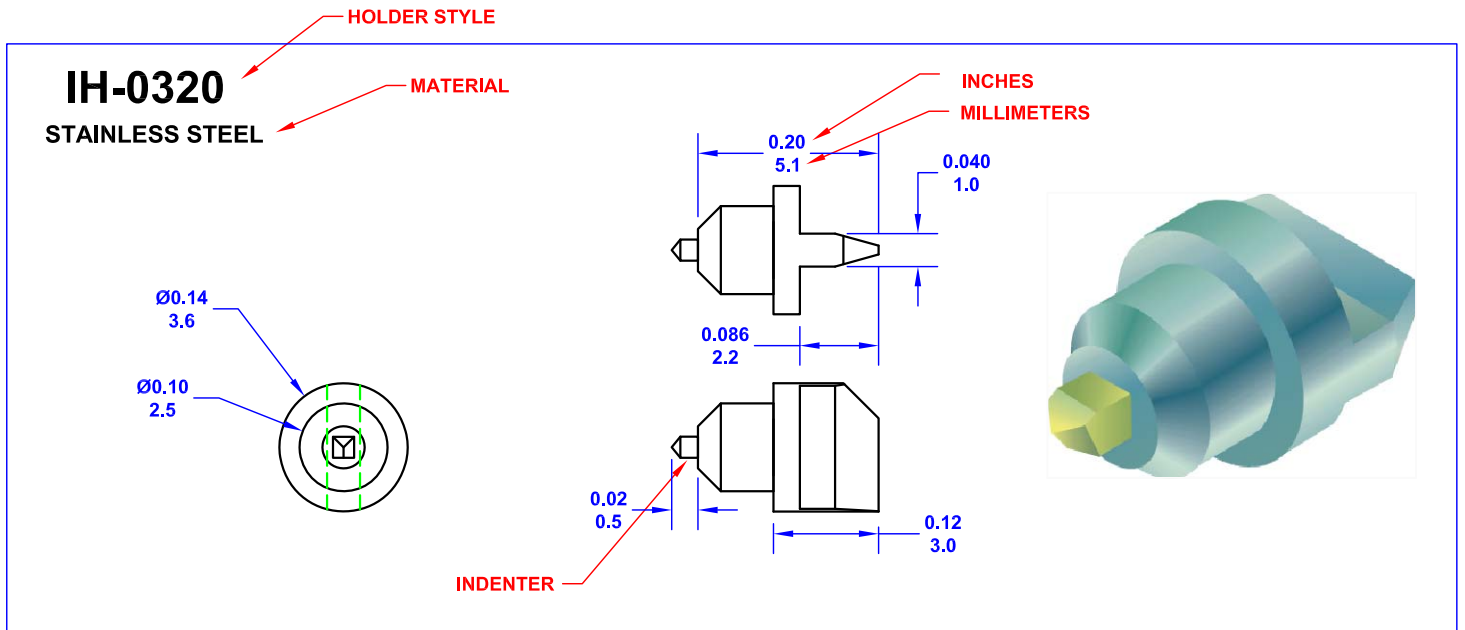


NANO INDENTER HOLDER DIMENSIONS



INDENTER HOLDER EXAMPLE

NOTES

For clarity, different holders are shown at different scales.

Three-dimensional illustrations are for reference only and not at scale.

Indenter on the holders are shown only as example, each holder style is available for many indenter types.

Dimensions are rounded and may change without notice.

New holder designs or holder modification requests are welcome. MICRO STAR has extensive engineering and micro-machining capabilities.

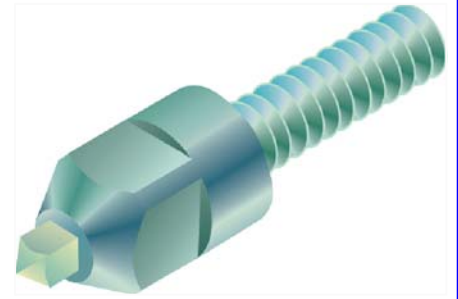
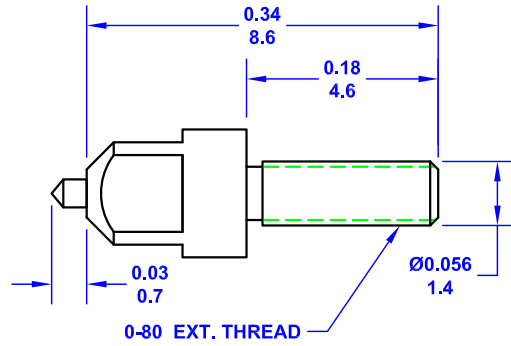
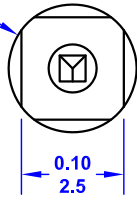


www.microstartech.com

IH-0210

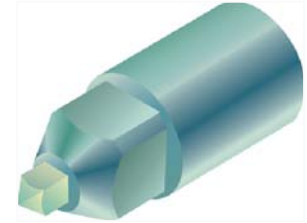
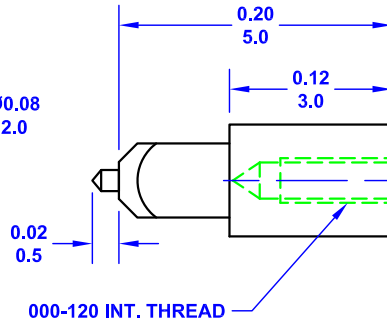
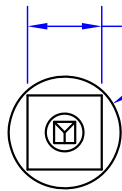
TITANIUM

Ø0.125
3.17



IH-0220

TITANIUM
OR
MACHINED TORLON*

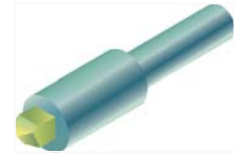
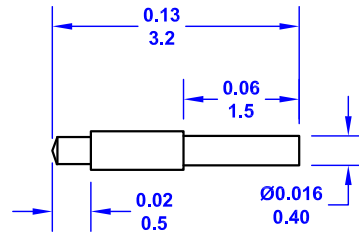


*High performance Polyamide-imide

IH-0310

TITANIUM

Ø0.022
0.56

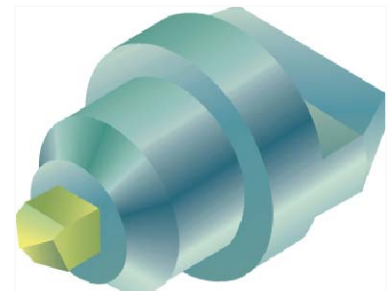
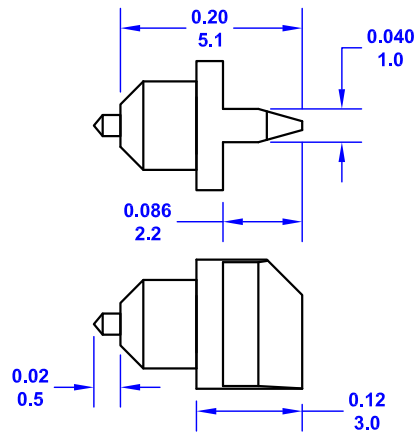
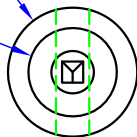


IH-0320

STAINLESS STEEL

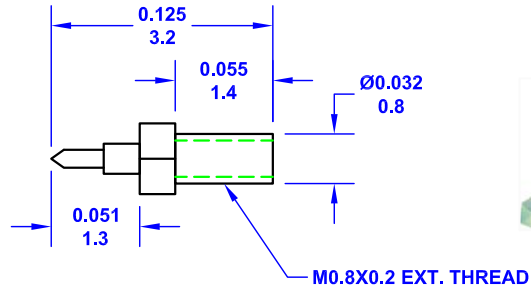
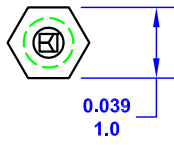
Ø0.14
3.6

Ø0.10
2.5



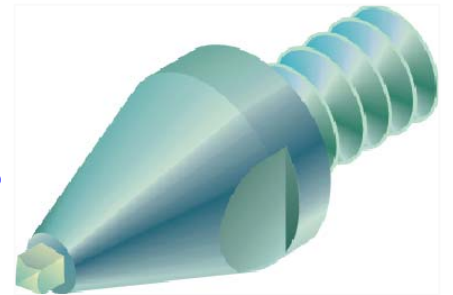
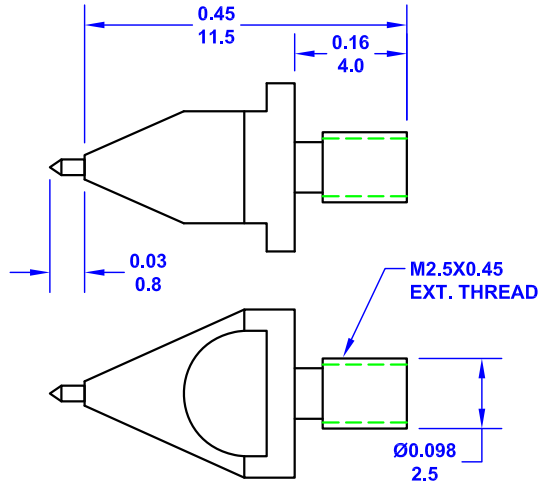
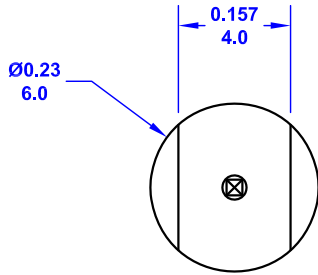
IH-0340

STAINLESS STEEL



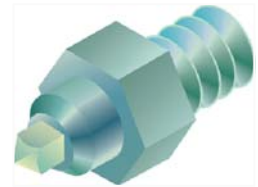
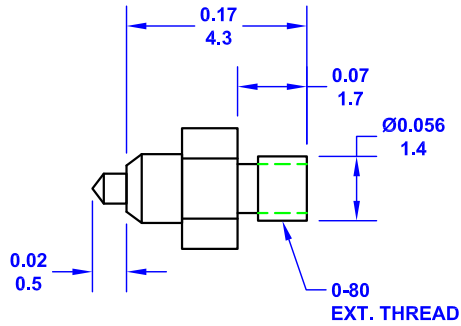
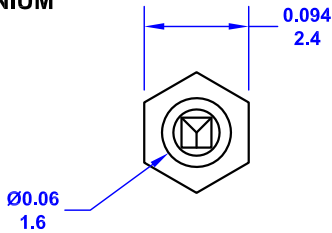
IH-0410

STAINLESS STEEL



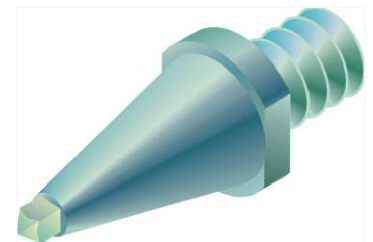
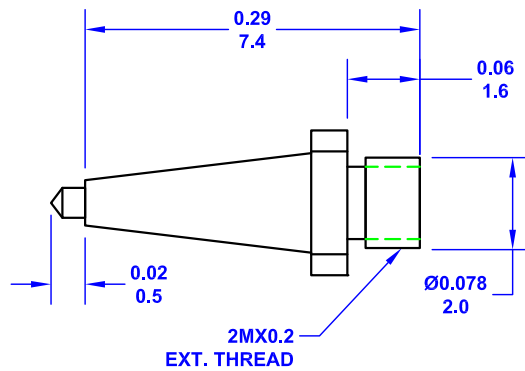
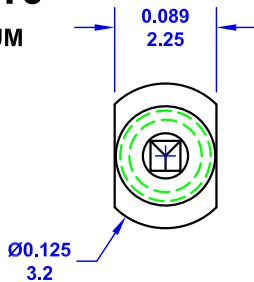
IH-0610

TITANIUM



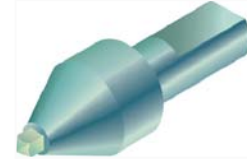
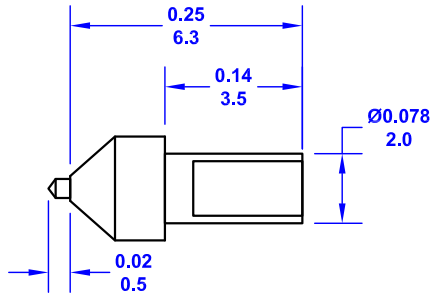
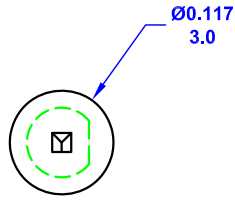
IH-0710

TITANIUM



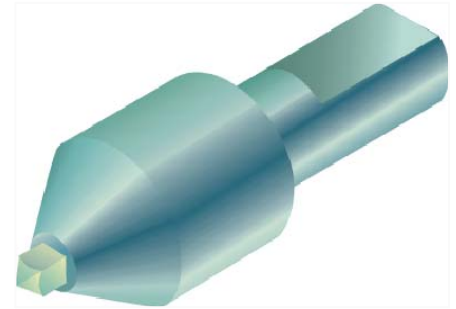
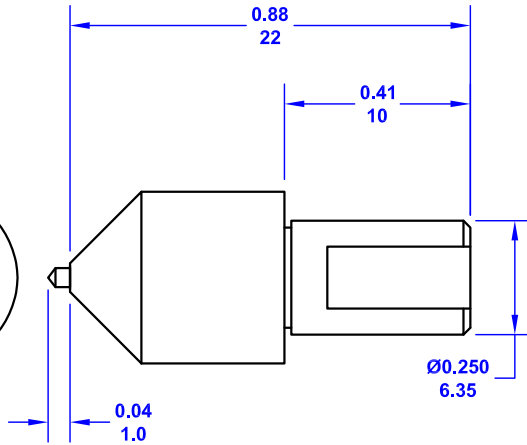
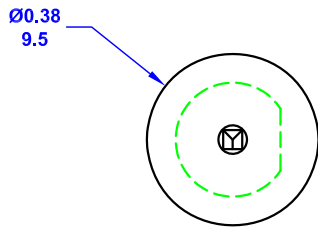
IH-0810

STAINLESS STEEL



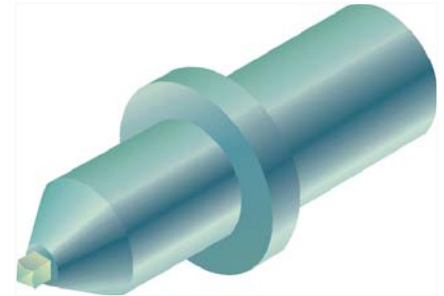
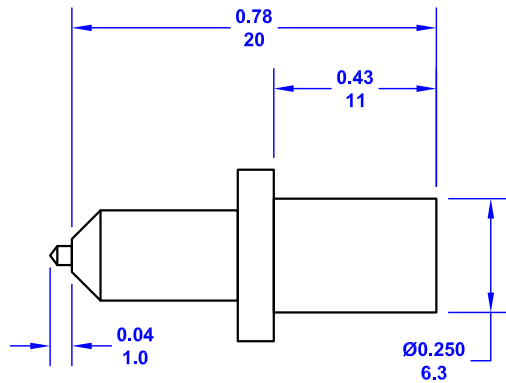
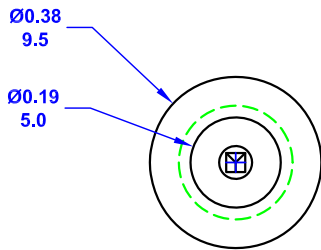
IH-0820

STAINLESS STEEL



IH-0910

STAINLESS STEEL



IH-1110

STAINLESS STEEL

